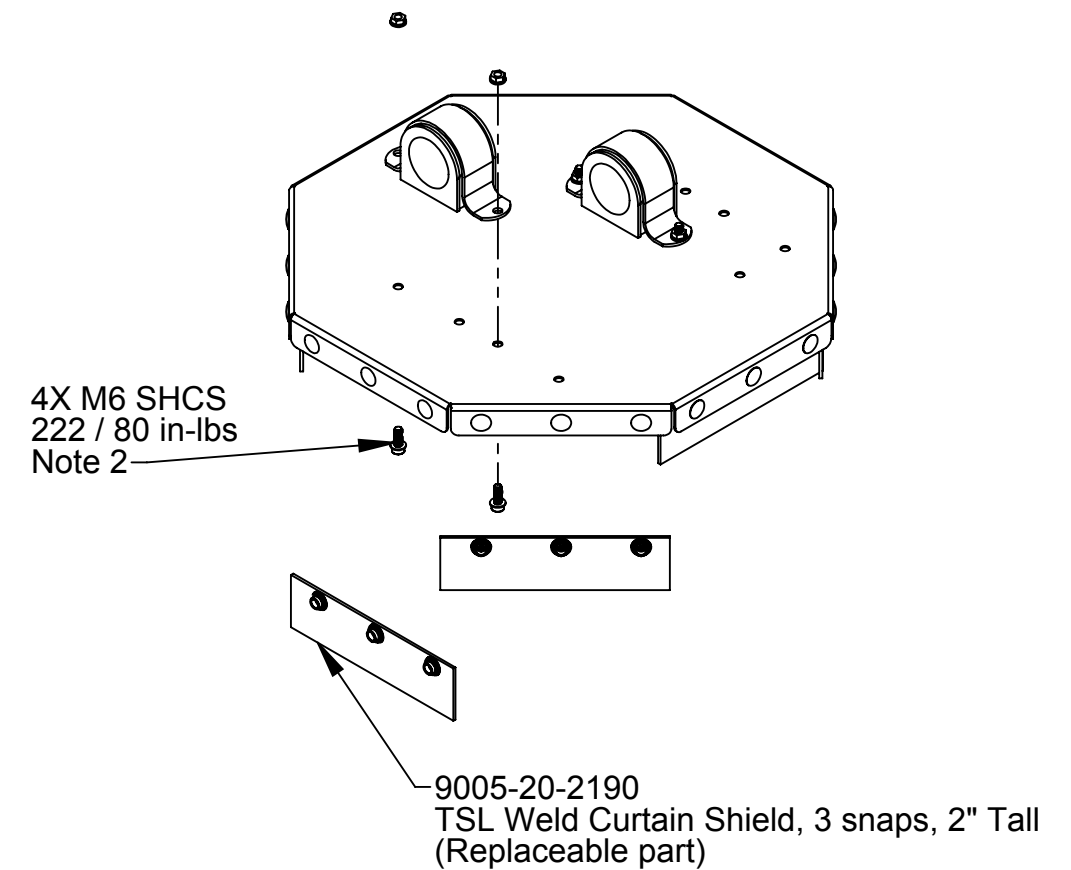
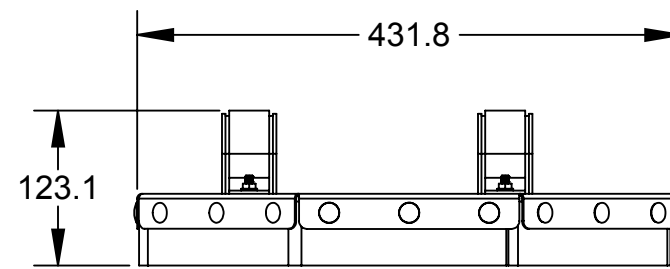
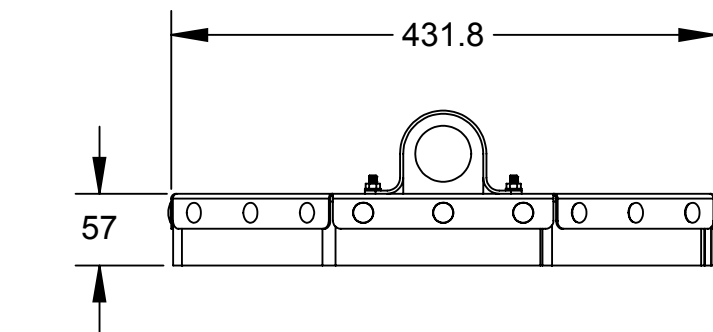
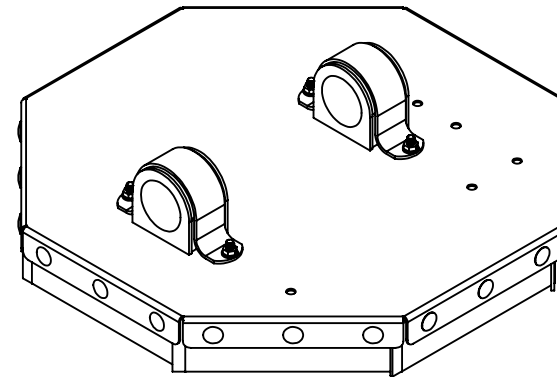
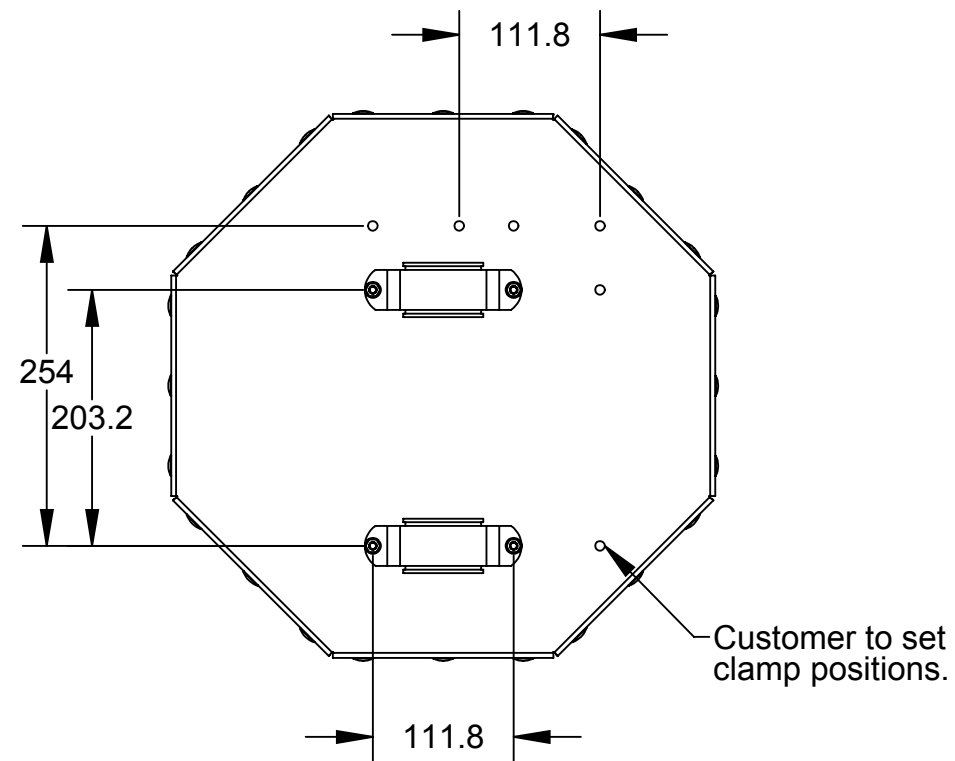


Rev.	Description	Initiator	Date
02	ECO 17201: Updated drawing for change to 9120-TSL-DS-17-W3528 sub-assembly skirt (shortened skirt from 4" to 2").	TBC	10/11/2018



Notes:

1. Debris shield is shipped assembled. Customer to determine final configuration.
2. Customer to Loctite or similar thread locker and torque to listed torque value.

ITEM NO.	QTY.	PART NUMBER	DESCRIPTION
1	1	9120-TSL-DS-17-W3528	TSL Debris Shield, 17" Wide, Weld Curtain
NOTES: UNLESS OTHERWISE SPECIFIED.		<p>1031 Goodworth Drive, Apex, NC 27539, USA Tel: +1.919.772.0115 Email: info@ati-ia.com Fax: +1.919.772.8259 www.ati-ia.com ISO 9001 Registered Company</p> <p>PROPERTY OF ATI INDUSTRIAL AUTOMATION, INC. NOT TO BE REPRODUCED IN ANY MANNER EXCEPT ON ORDER OR WITH PRIOR WRITTEN AUTHORIZATION OF ATI.</p>	
DO NOT SCALE DRAWING. ALL DIMENSIONS ARE IN MILLIMETERS.			
<p>3rd ANGLE PROJECTION</p>		<p>ATI INDUSTRIAL AUTOMATION</p>	<p>TITLE TSL Debris Shield, 17" with Weld Curtain Shields</p>
DRAWN BY: J. Winterroth, 2/17/14		SCALE	
CHECKED BY: D. Norton, 2/18/14		SIZE	
PROJECT # -		DRAWING NUMBER	
SHEET 1 OF 1		REVISION	
1:6		9630-20-TSL-DS-17-W3528	
B		02	